

KIRUNA WAGON

BD BOTTOM DUMPER

Commodities: Pellets, rock, easily unloaded commodities

Discharge rate: Up to 20 000 tonnes/h

Payload to tare ratio: 5.0

- + Unloading capacity up to 200 wagons/h
- + Continuous discharge
- + Very low-cost and robust unloading station



Our Bottom Dumper is used by two Nordic mining companies, LKAB in Sweden and Rana Gruber in Norway. The wagon designed for Rana Gruber is a new and refined version of the Bottom Dumper we have delivered to LKAB, in more than 1000 units.

BD - BOTTOM DUMPER

Kiruna Wagon's new-generation Bottom Dumper is optimised for heavy transport of commodities that are easy to unload, such as pellets and rock.

The robust wagon is designed for rolling discharge and has an unloading capacity of up to 20 000 tonnes per hour.

The modular design allows for easy replacement of damaged components - a damage body or bottom door can be replaced within two hours. The solution is proven in a subarctic climate.



**WATCH OUR PRODUCT MOVIES
ON OUR YOUTUBE CHANNEL**
www.youtube.com/kirunawagon



WWW.KIRUNAWAGON.COM

World Class Ore Logistics



Specifications

BD 20/8

BD 25/8

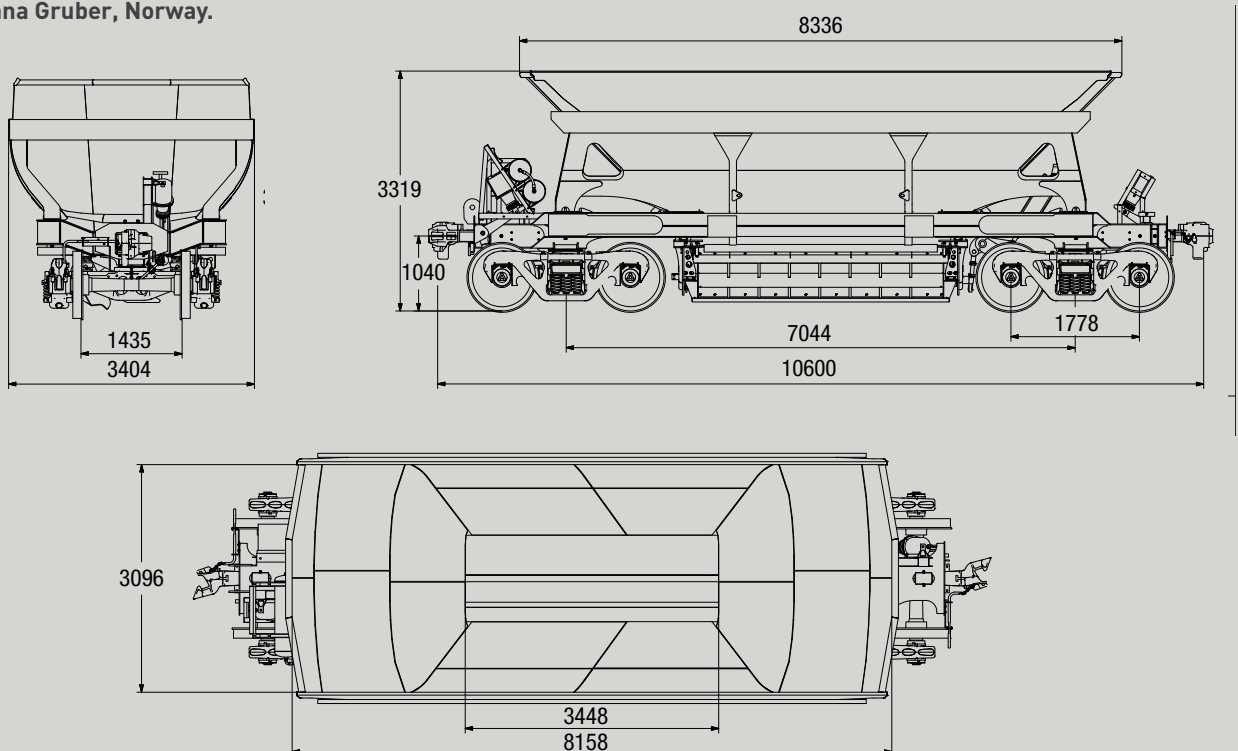
BD 25/10

BD 30/12

Max axle load	20 tonnes	25 tonnes	25 tonnes	30 tonnes
Line load	8 tonnes	8 tonnes	10 tonnes	12 tonnes
Number of axles	4	4	4	4
Wagon length	10 000 mm	12 500 mm	10 000 m	10 000 mm
Gauge	1435 mm	1435 mm	1 435 mm	1435 mm
Tare weight	20 tonnes	21 tonnes	20 tonnes	20 tonnes
Loading volume	50 m ³	60 m ³	50 m ³	50 m ³
Length between bogie centres	6444 mm	8944 mm	6444 mm	6444 mm
Wheel base	1778 mm	1778 mm	1778 mm	1778 mm
Coupler height	1040 mm	1040 mm	1040 mm	1040 mm
Technical lifespan chassis	20 years	20 years	20 years	20 years
Technical lifespan body	10 years	10 years	10 years	10 years
Temperature interval	-40 to +60 °C	-40 to +60 °C	-40 to +60 °C	-40 to +60 °C
Unloading capacity	ca 12 000 tonnes/h	ca 16 000 tonnes/h	ca 16 000 tonnes/h	ca 20 000 tonnes/h

All wagon types can be customised to fit your line load and loading gauge preconditions.

MAIN MEASUREMENT EXAMPLES
BD 30/12, Rana Gruber, Norway.



v140603
250GAS