

KIRUNA WAGON

SD UNLOADING STATION

Discharge rate: Up to 1500 tonnes/h and station*

- + Low-cost investment
- + Low-cost maintenance
- + High availability
- + Supports roofed wagons
- + Fully remote controlled



SD - Unloading Station

The Side Dumper Unloading Station unloads up to 20 wagons per hour. The station supports the sealed SD wagon, which is optimised for transport of hazardous materials and for transport of highly refined and valuable ore products in smaller volumes.

The SD Unloading Station has a simple design and offers a good overall economy. The wagons can discharge to both left and right and be loaded from both sides. To ensure a complete emptying of the wagons, the robust SD Unloading Station is equipped with a vibrator. This low-cost system is proven in a subarctic climate.

*For significantly increased discharge rates, more than one unloading station can be used to empty multiple wagons simultaneously.





The Side Dumper Unloading Station comes with a complete program for installation, training and maintenance.

Principle drawings are provided and the installation is performed by Kiruna Wagon, who also supervises the start-up process and trains the operators.

For productivity and personal safety, the unloading is operated completely by handheld remote control.

Mechanical arms are used to position the wagon and hold the bottom frame while tipping the basket.

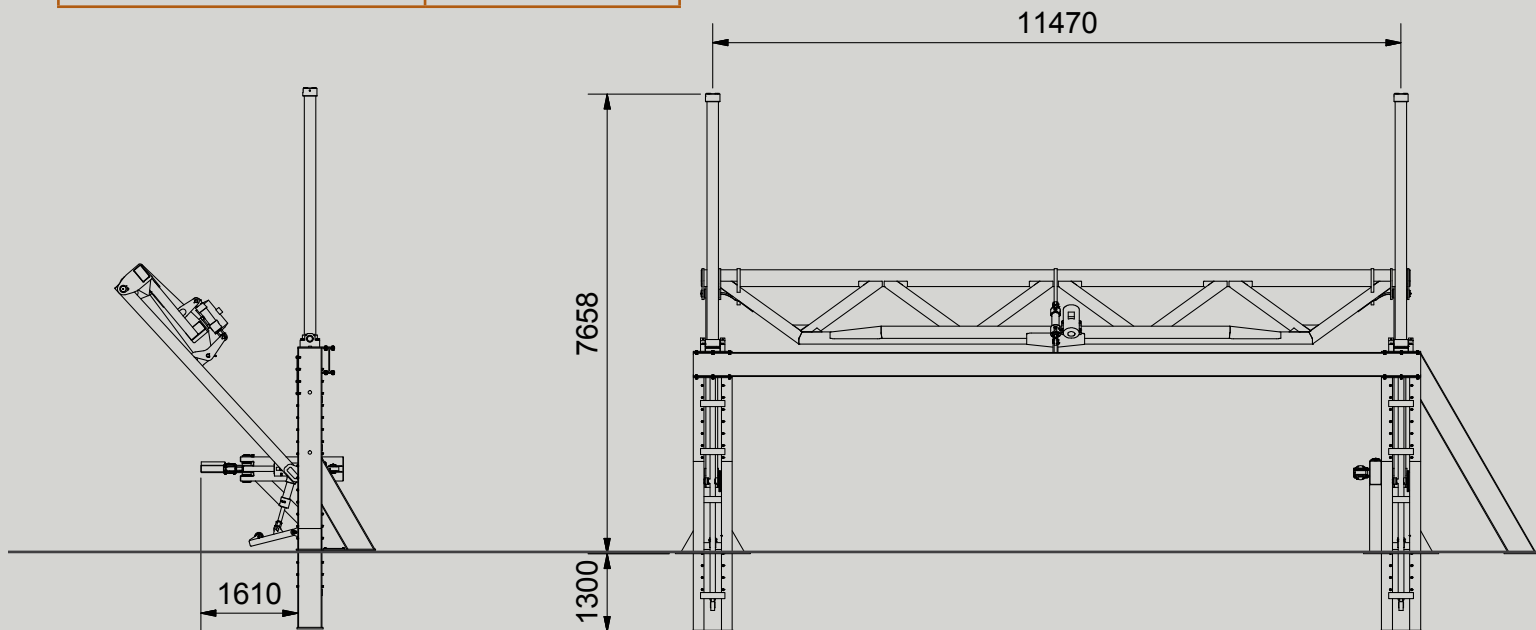
In case of a power failure during operation, the SD Unloading Station will stop and retain its grip of the basket.

A limited number of wear parts ensures swift maintenance. The SD Unloading Station is compatible with all common loading gauges.



SD Unloading Station operates in the Boliden smelter in Rönnskär, Sweden.

Unloading capacity per station	1500 tonnes/h
Required positioning accuracy	+/- 75 mm
Working temperature	-40 to +60 °C
Electrical power required	70 kW
Loading gauge	All common



MAIN MEASUREMENT EXAMPLES

v140603
250GAS